

# TRANSFORMERS™

BUMBLEBEE™

VS

BARRICADE™



NOTE: Some parts are made to detach if excessive force is applied and are designed to be reattached if separation occurs. Adult supervision may be necessary for younger children.



**WARNING:**

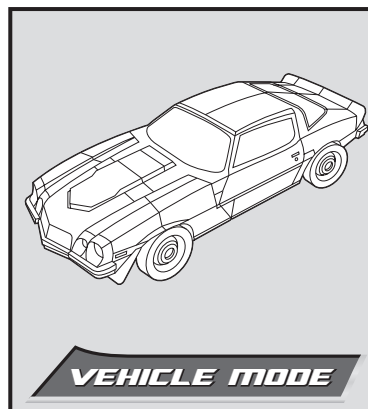
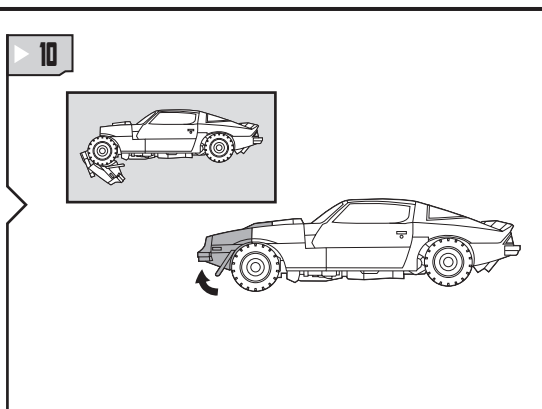
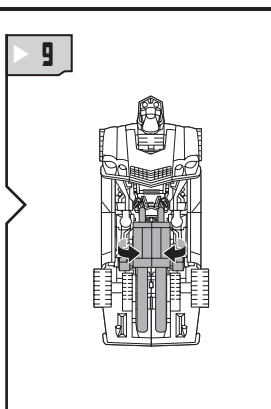
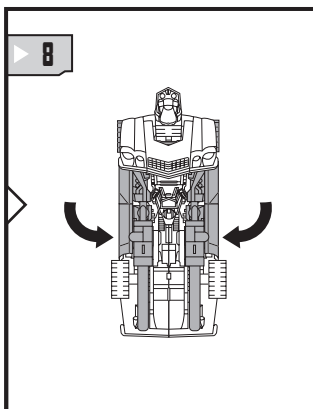
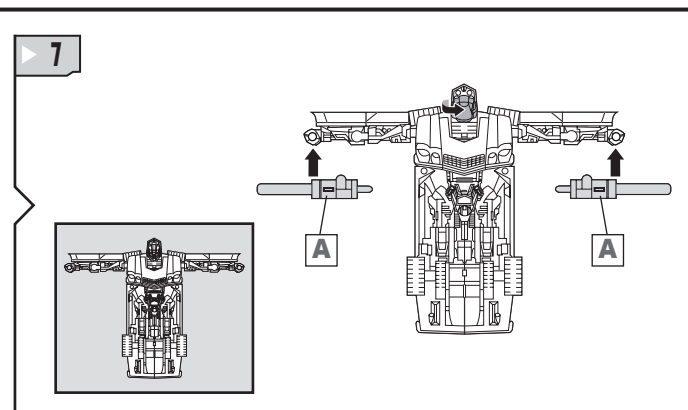
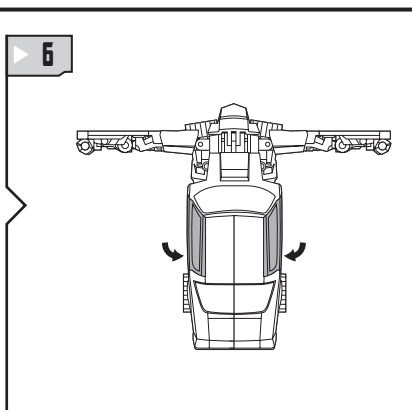
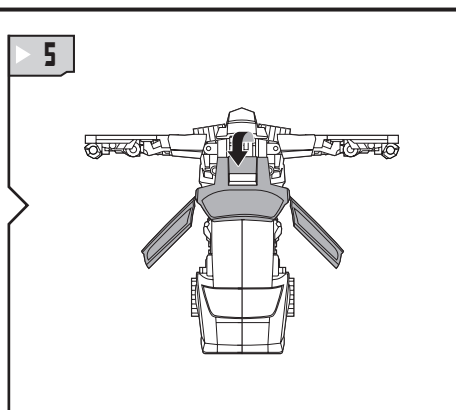
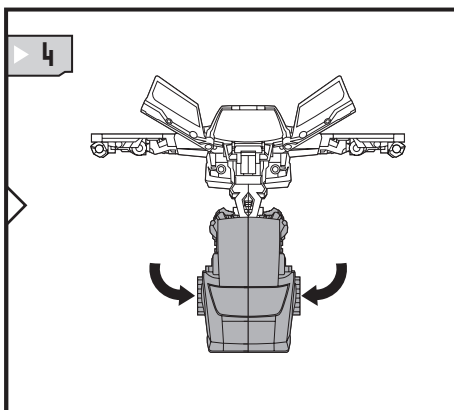
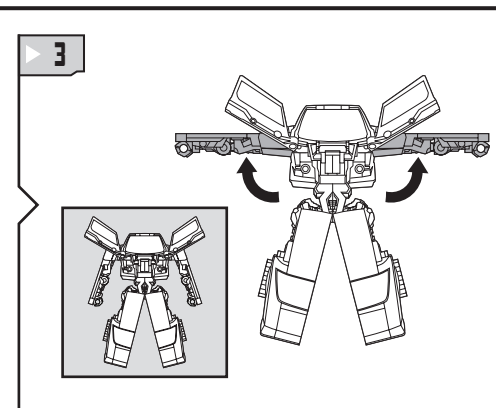
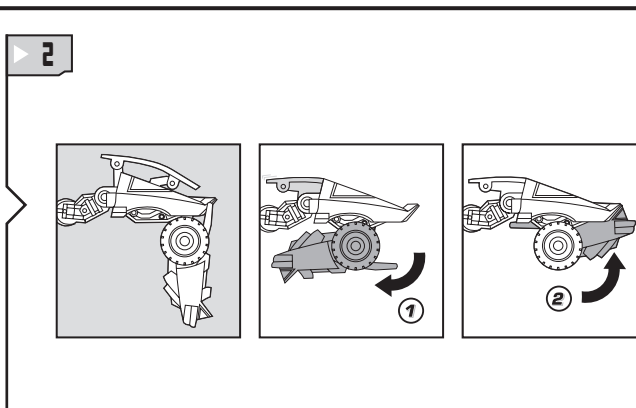
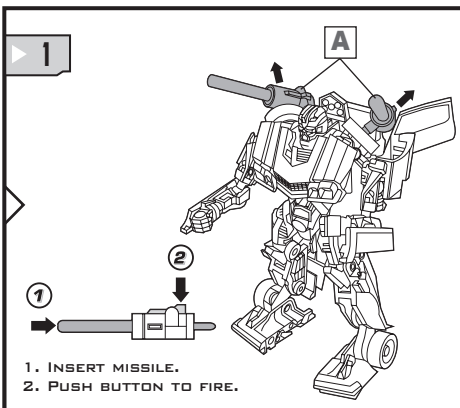
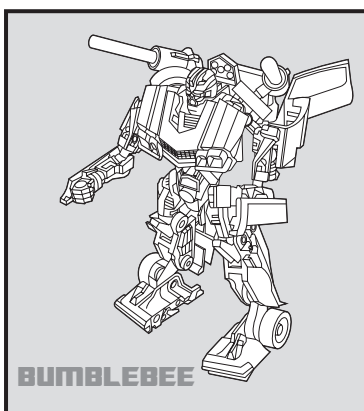
CHOKING HAZARD—Small parts.  
Not for children under 3 years.

**AGES 5+**

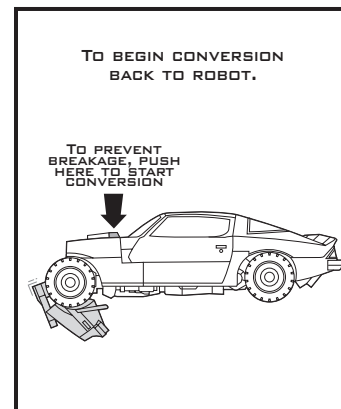
82993

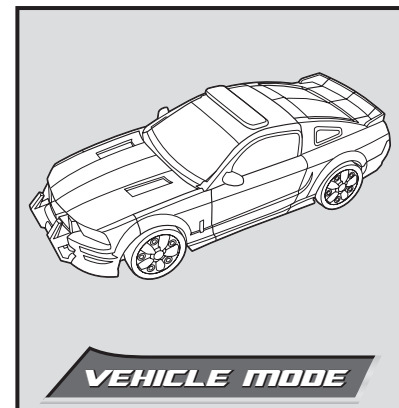
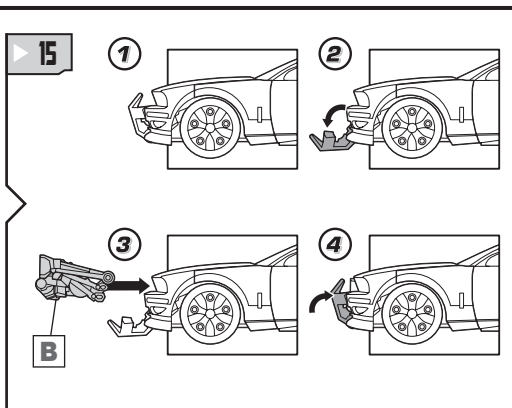
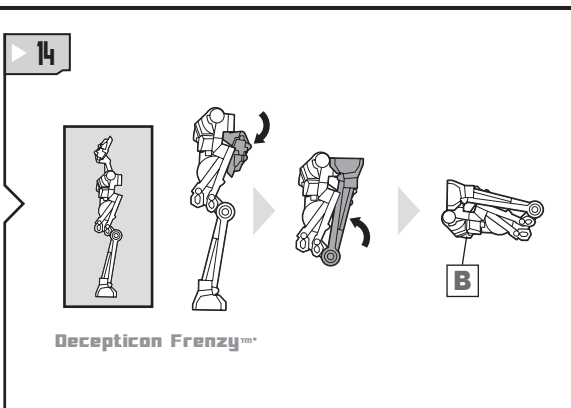
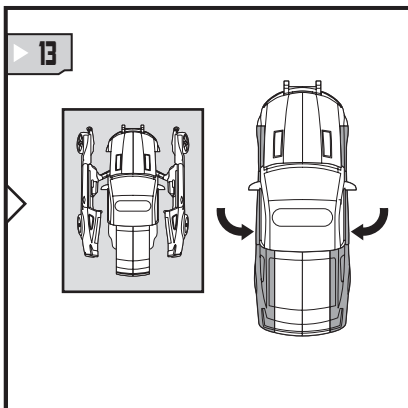
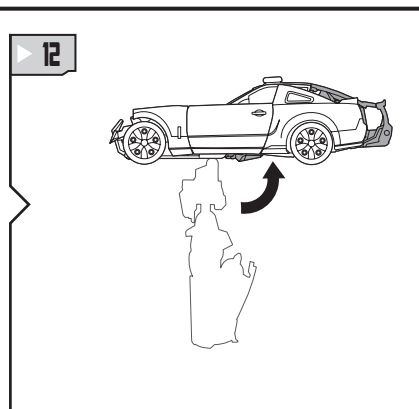
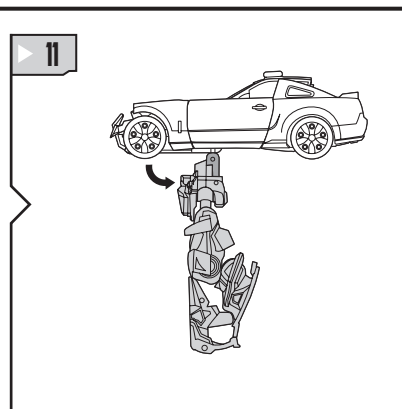
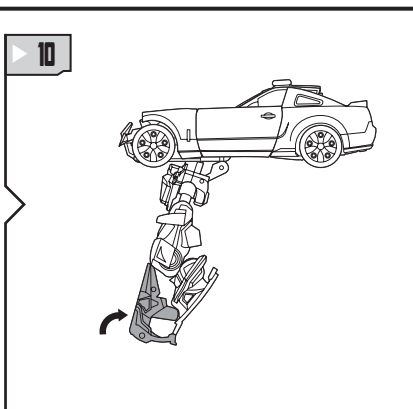
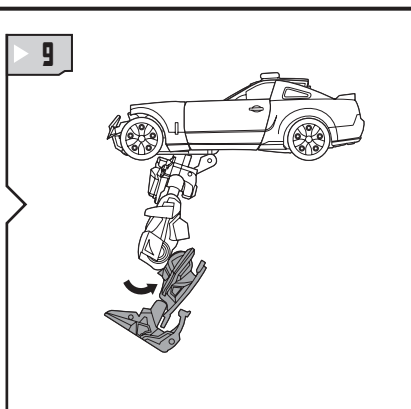
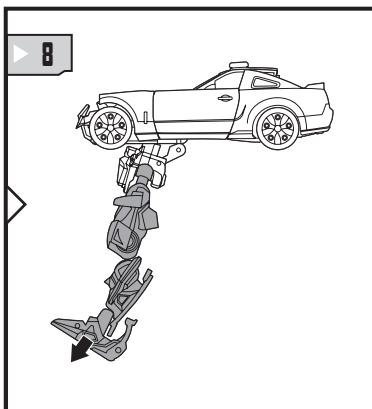
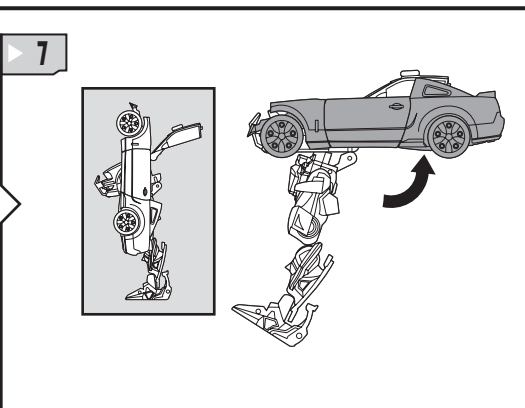
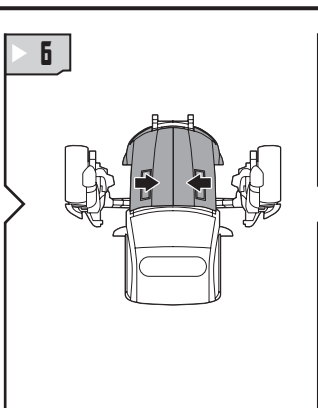
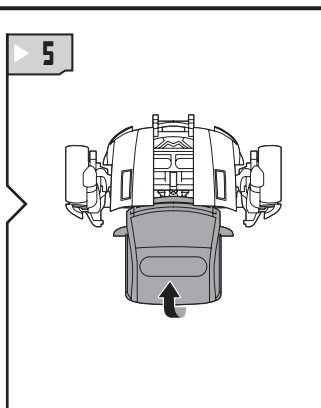
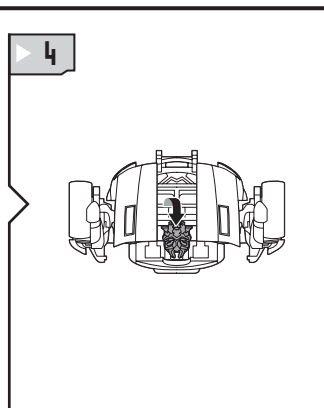
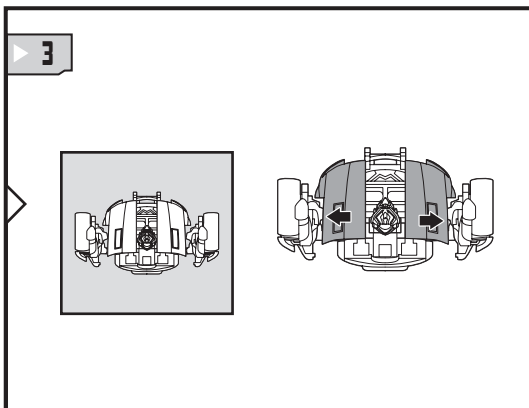
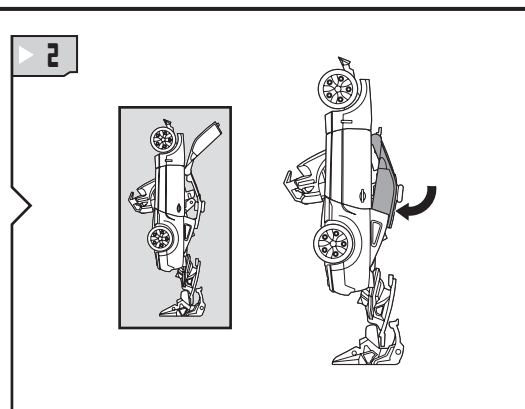
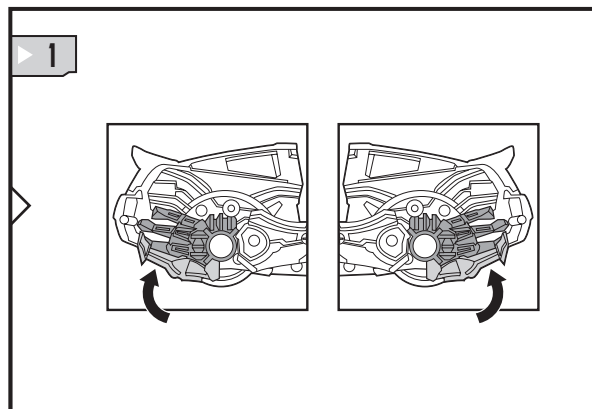
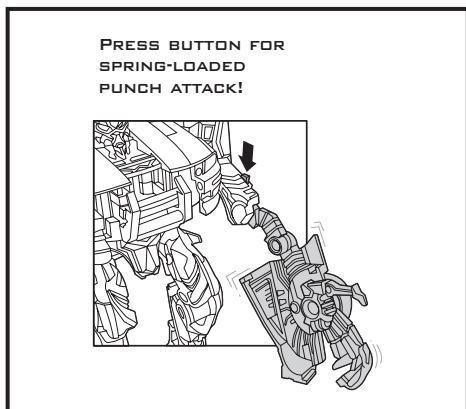
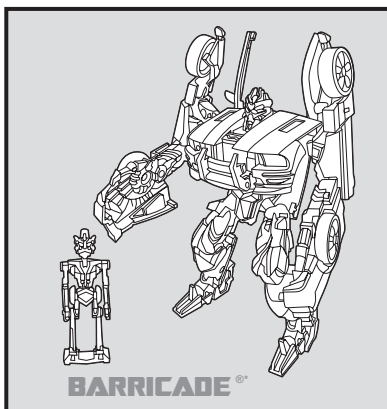
TRANSFORMERS.COM

## CHANGING TO VEHICLE



REVERSE ORDER OF INSTRUCTIONS  
TO CONVERT BACK INTO ROBOT.





REVERSE ORDER OF INSTRUCTIONS TO CONVERT BACK INTO ROBOT.

Some poses may require hand support.



© 2006 DreamWorks LLC and Paramount Pictures Corporation  
 ® and/or TM\* & © 2006 Hasbro. All Rights Reserved.  
 TM & © denote U.S. Trademarks.  
 Manufactured under license from Tomly Company, Ltd.



DREAMWORKS PICTURES



Camaro and all related Emblems and vehicle body designs are General Motors Trademarks used under license to Hasbro, Inc.



Saleen® and S281 are registered trademarks of Saleen Inc. used under license.

TRANSFORMERS.COM

P/N 6670160001



Not suitable for children under 3 years because of small parts - choking hazard.